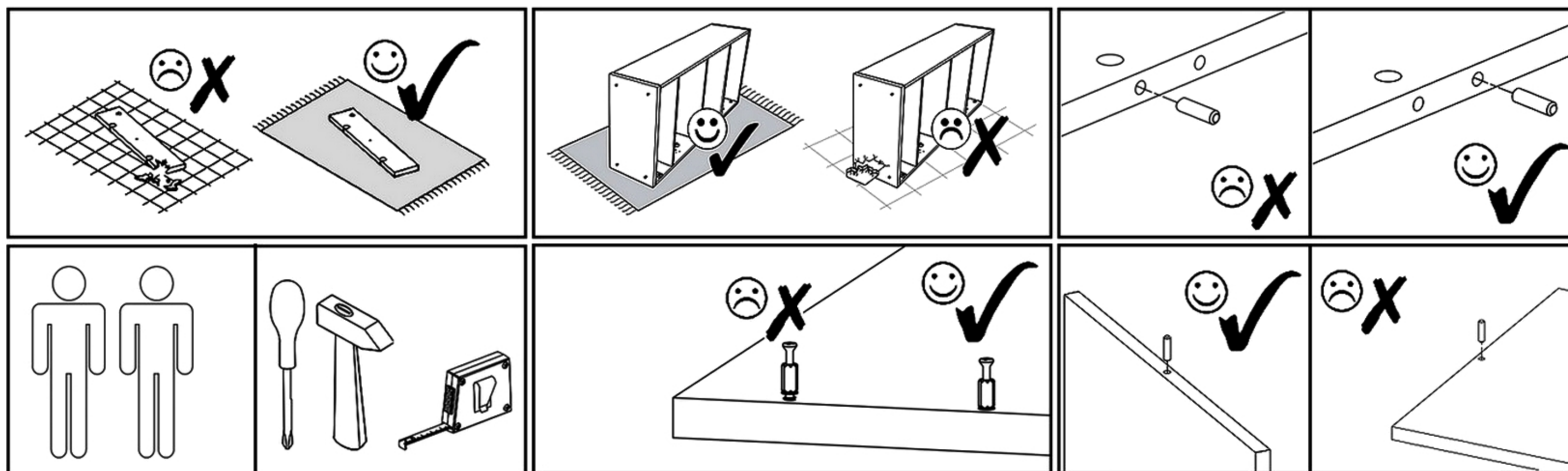
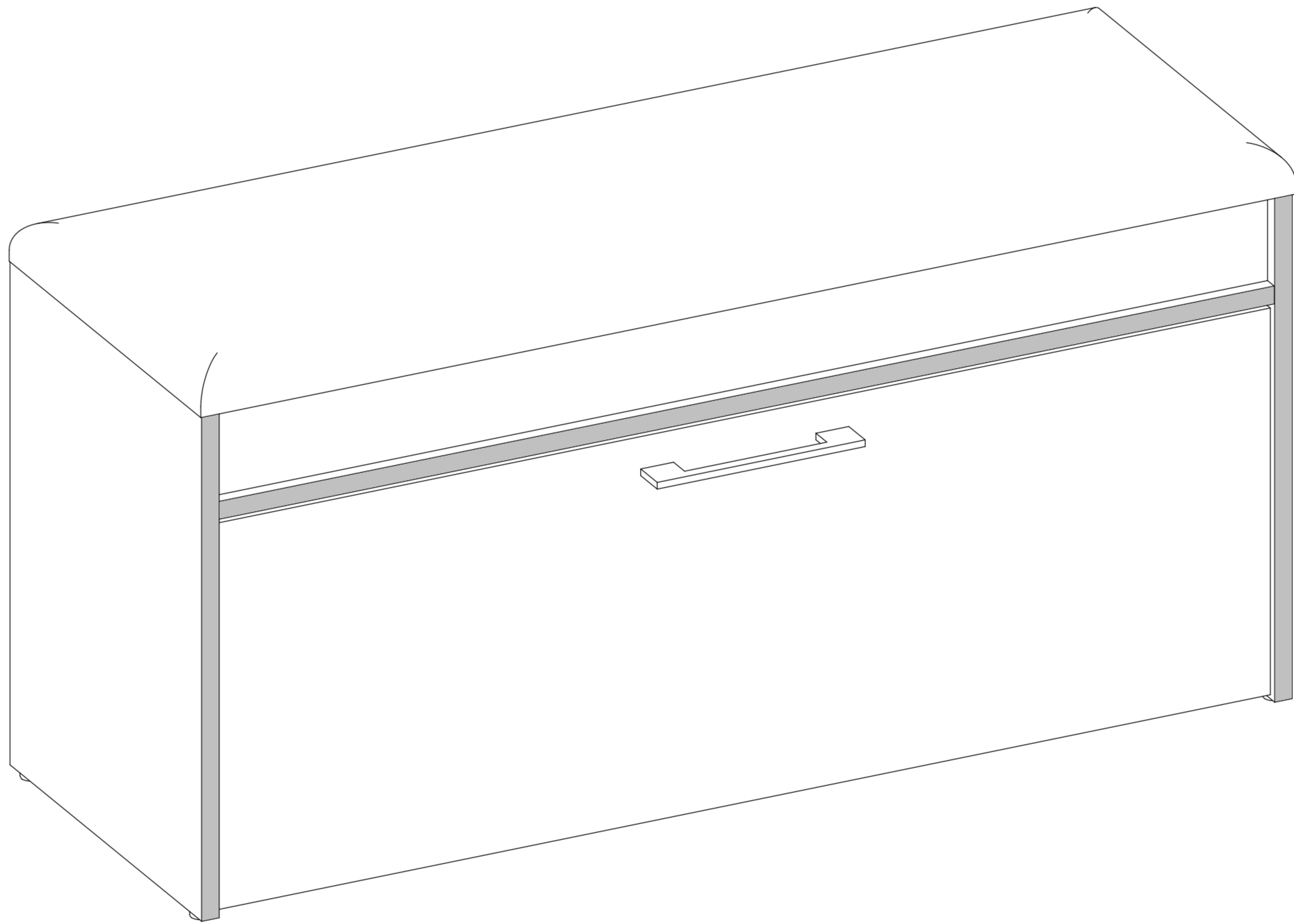
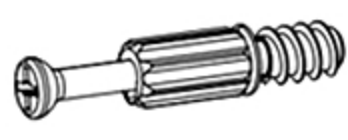
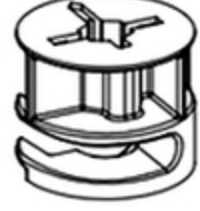
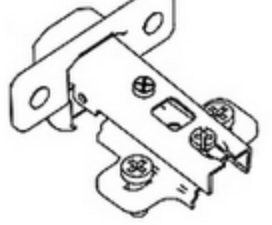



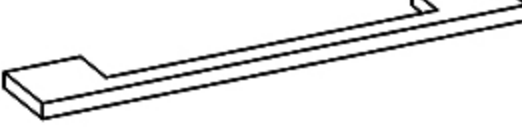
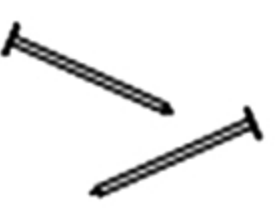
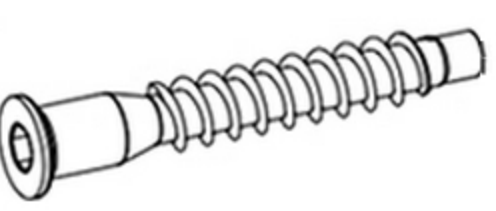
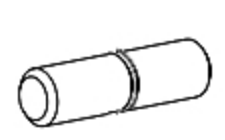
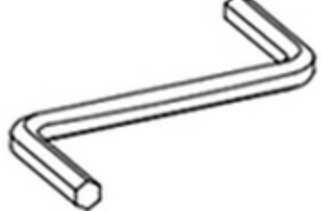
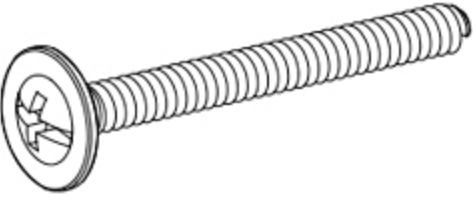


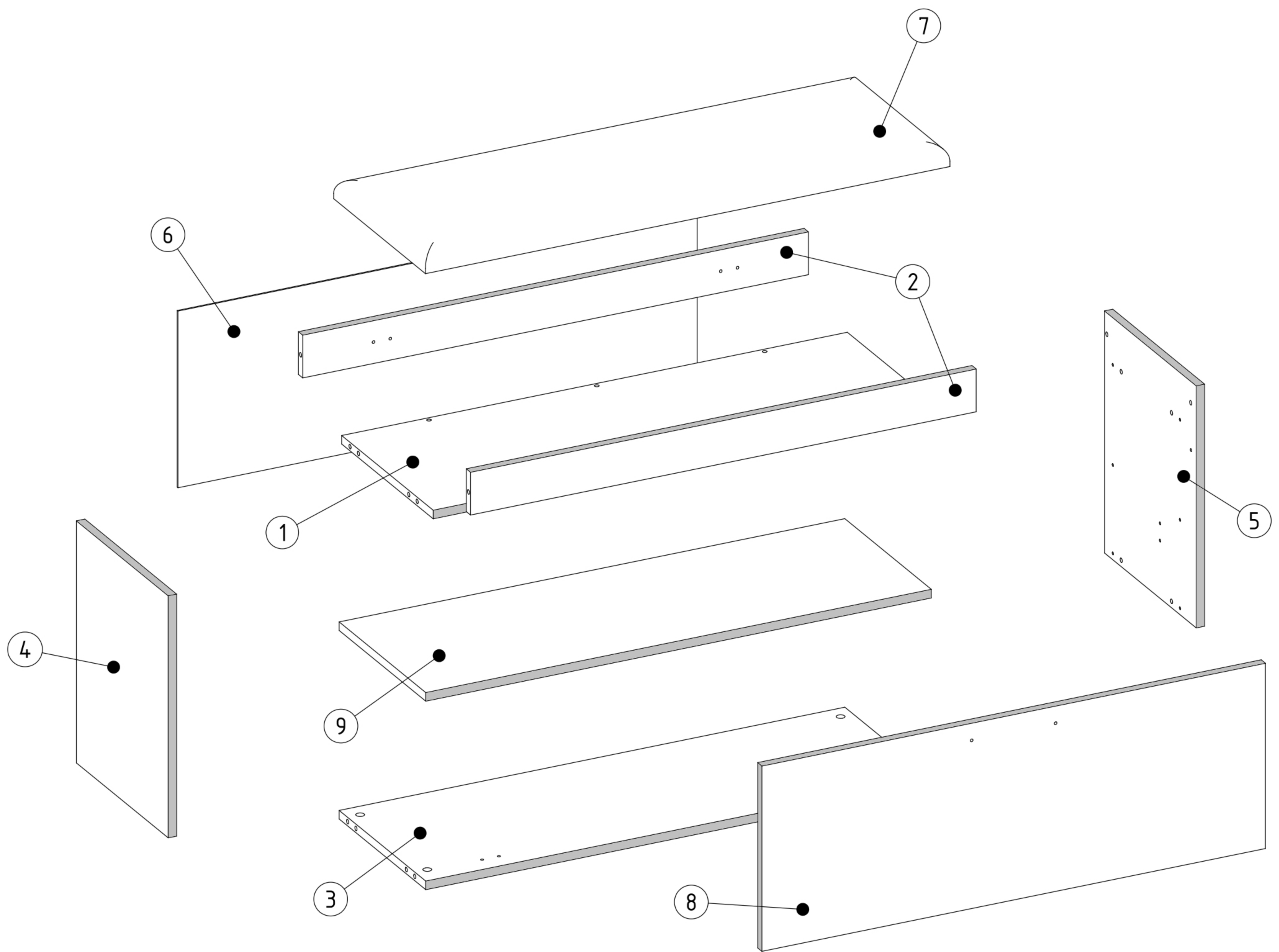


03/06/2022

PARMA

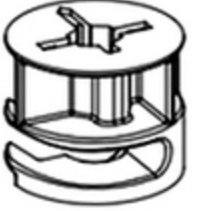
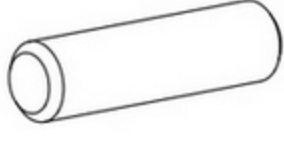


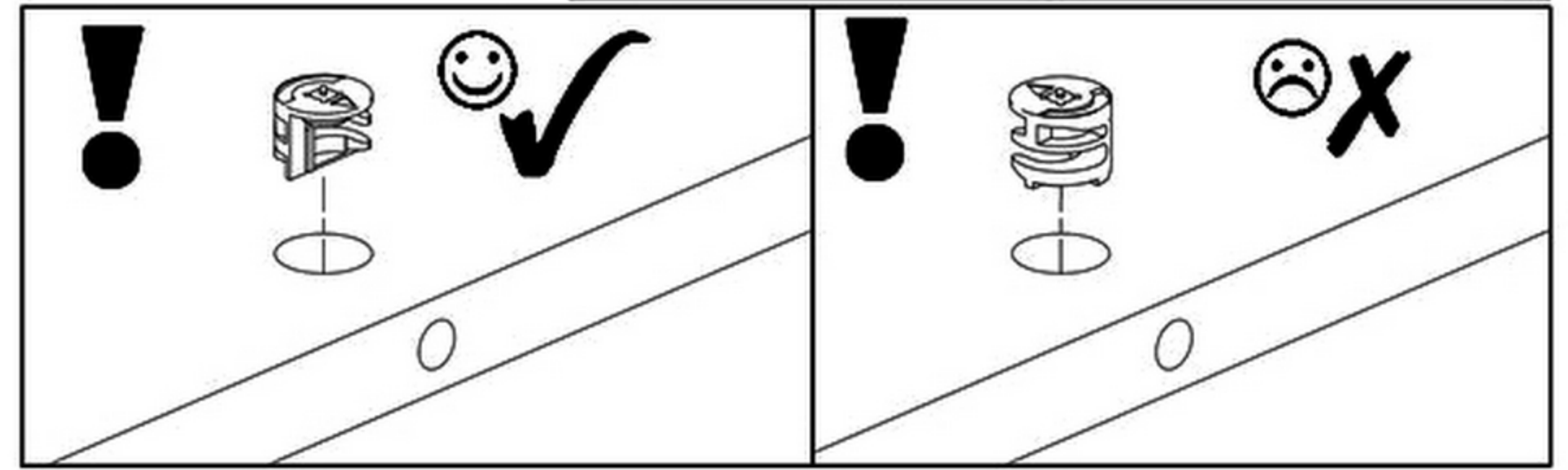
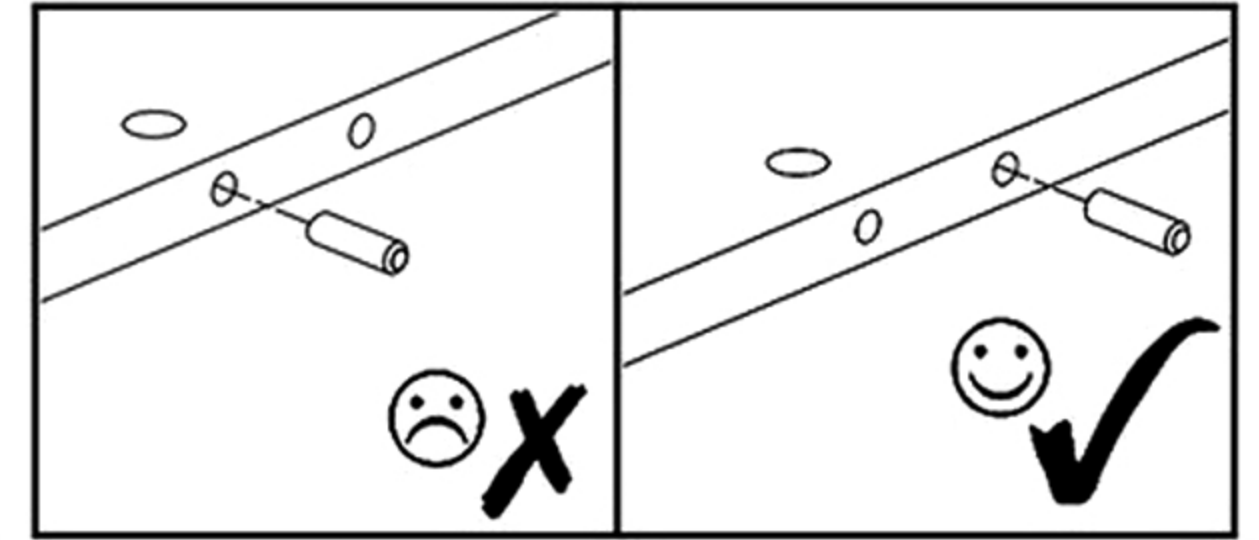
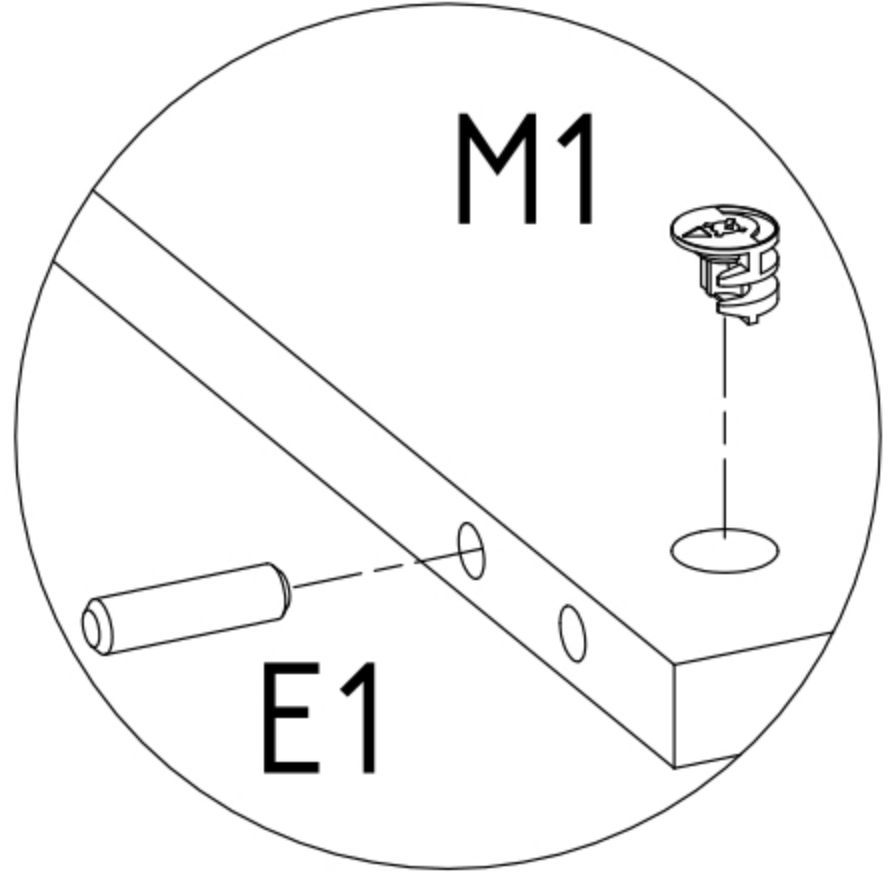
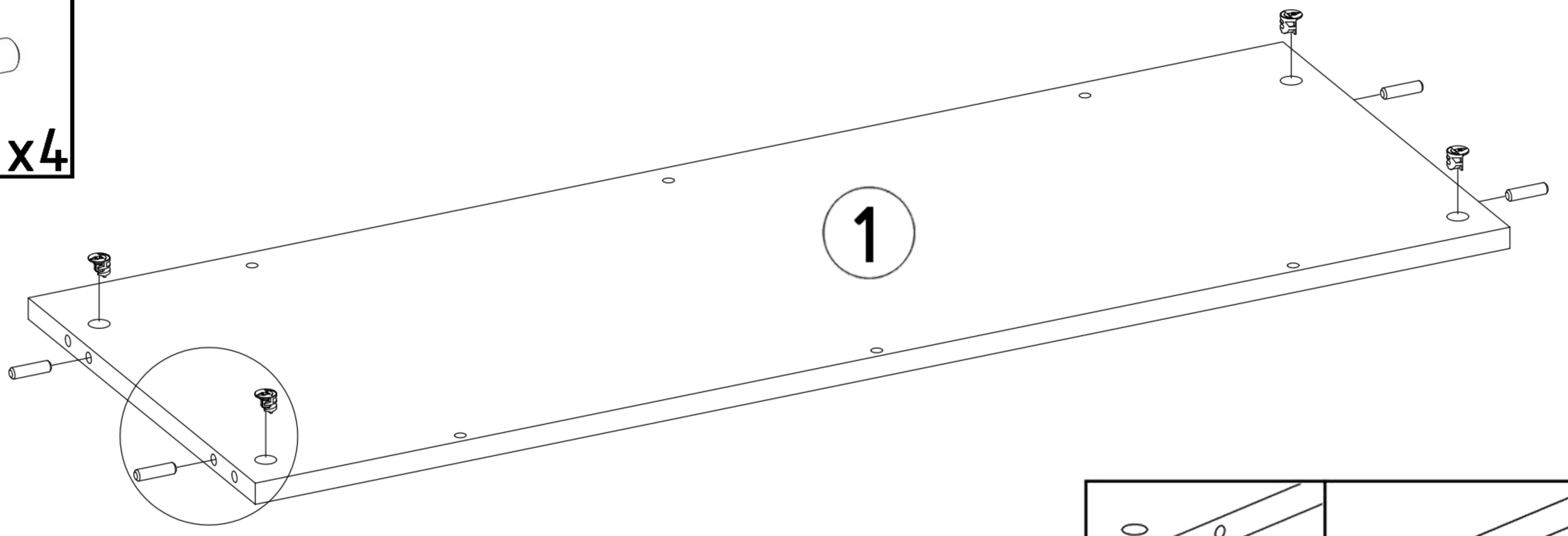
N1  L=35mm x8	M1  12x15mm x8	A1  ZP x4	S1  3,5x16mm x10	E1  8x30mm x12	S3  6x13mm x2	U6  L=208mm x1
Z1  x40	F1  7x50mm x6	K7  5x16mm x6	F3  x1	S7  4x25 mm x2	V2  x1	T1  x4




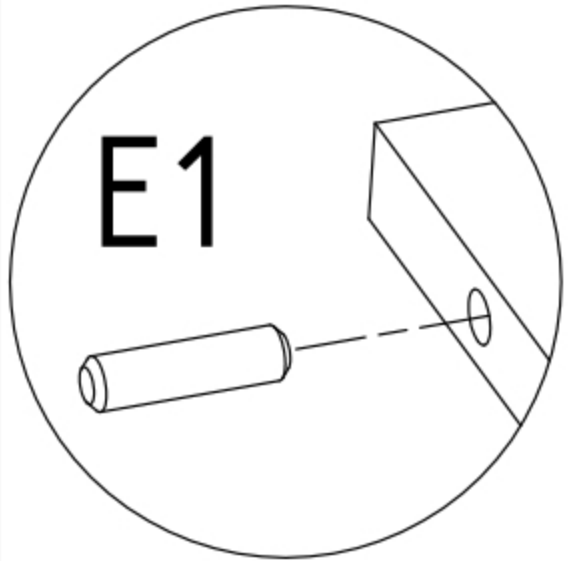
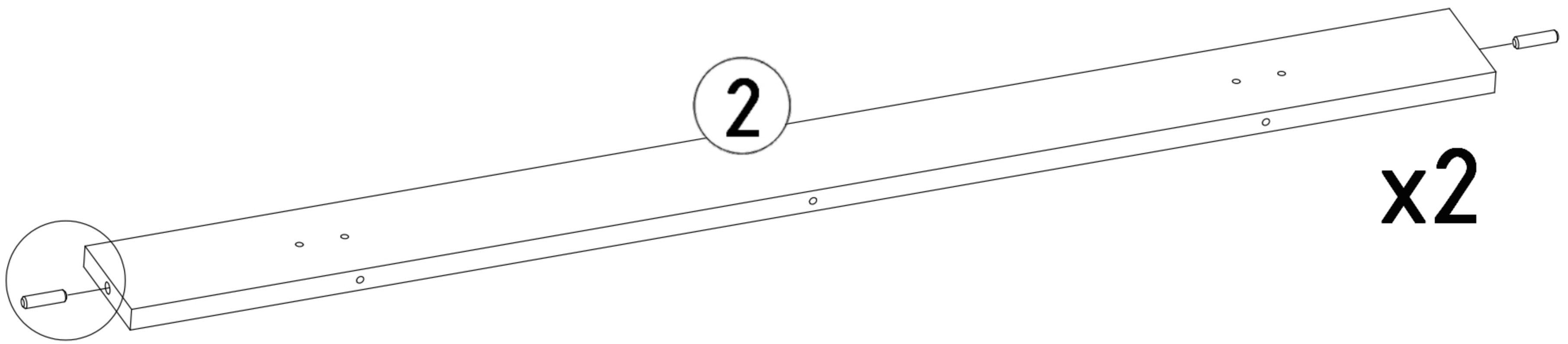
1	x	1
2	x	2
3	x	1
4	x	1
5	x	1

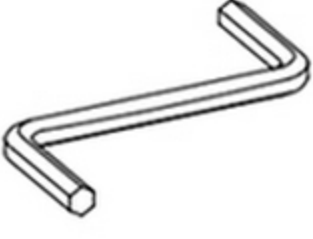
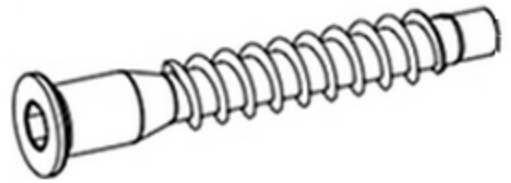
6	x	1
7	x	1
8	x	1
9	x	1

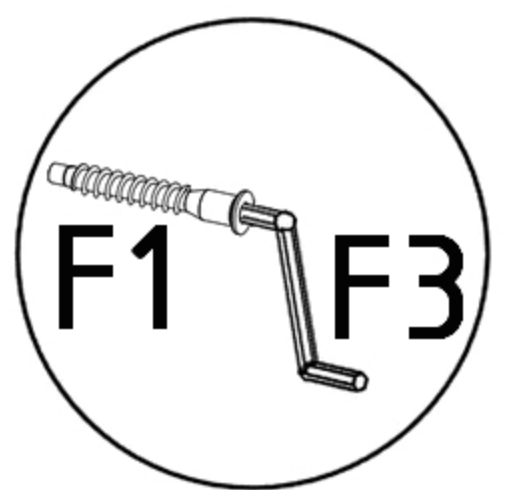
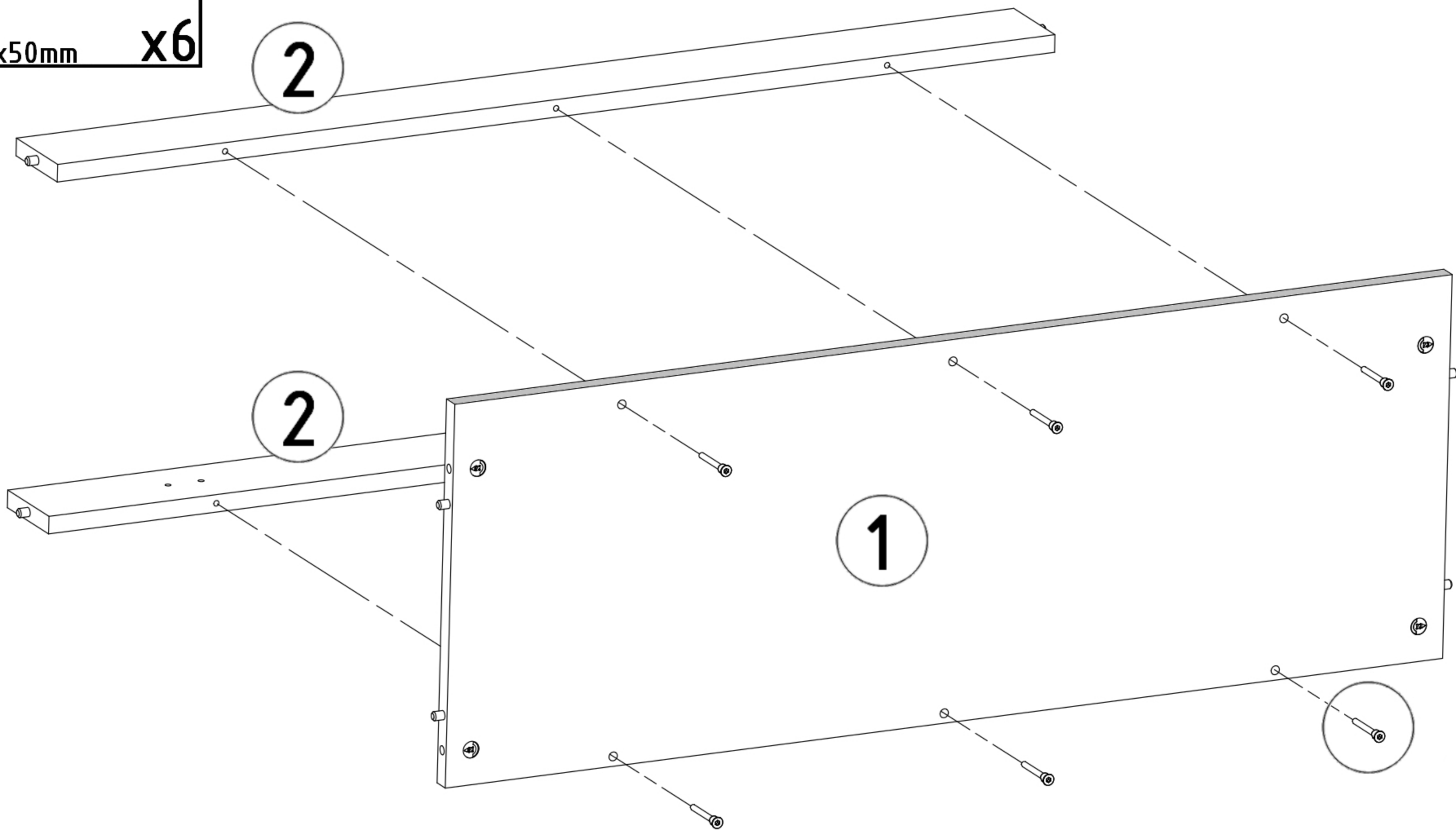
M1  12x15mm X4	E1  8x30mm X4
---	--

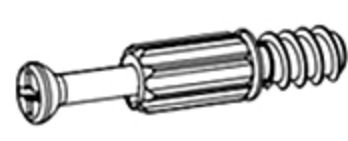
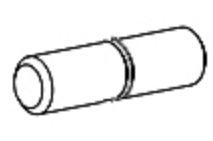
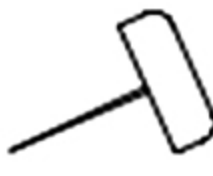


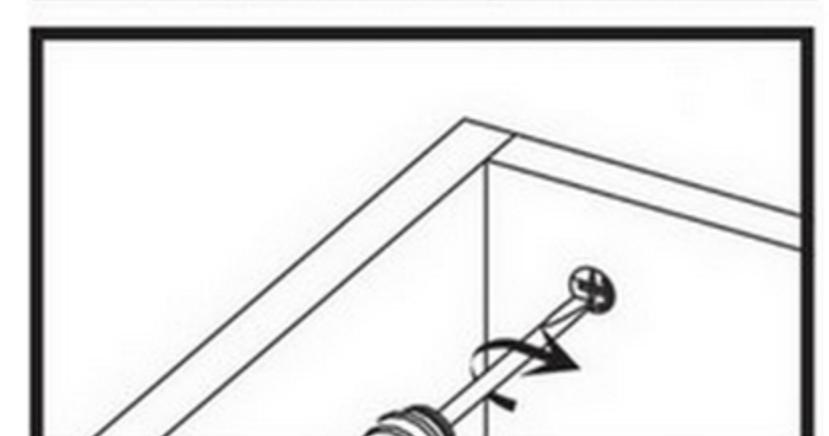
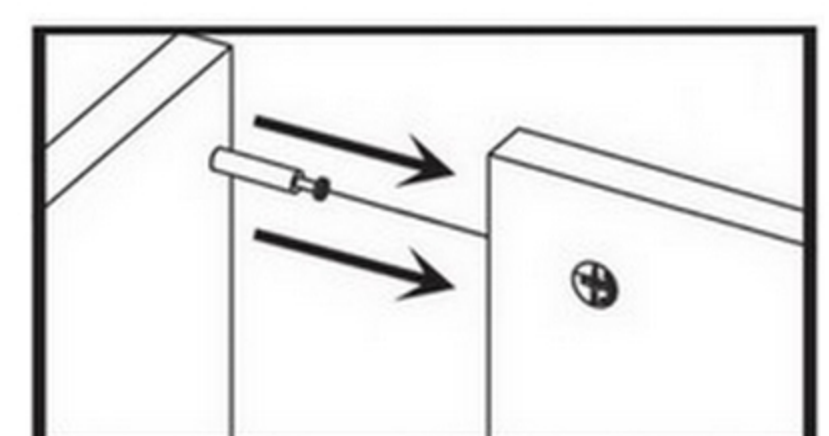
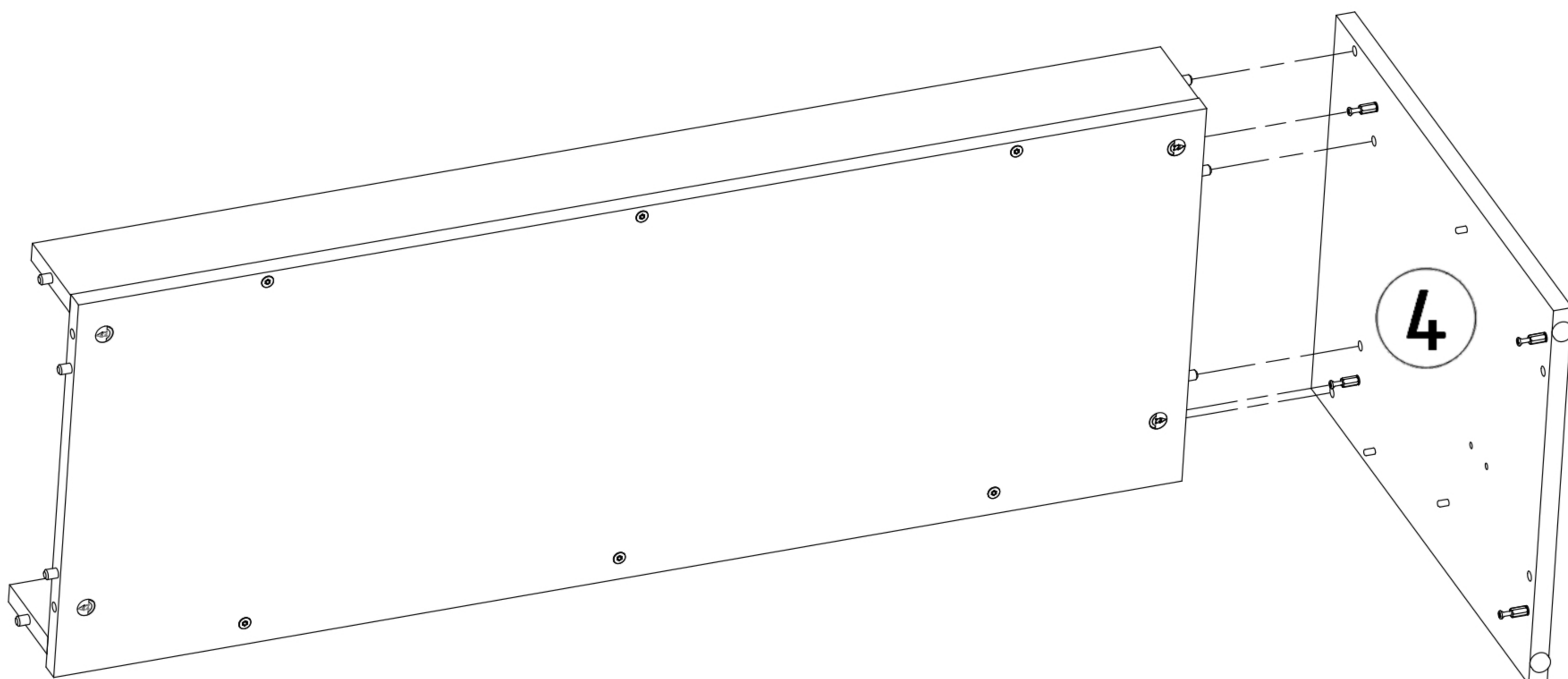
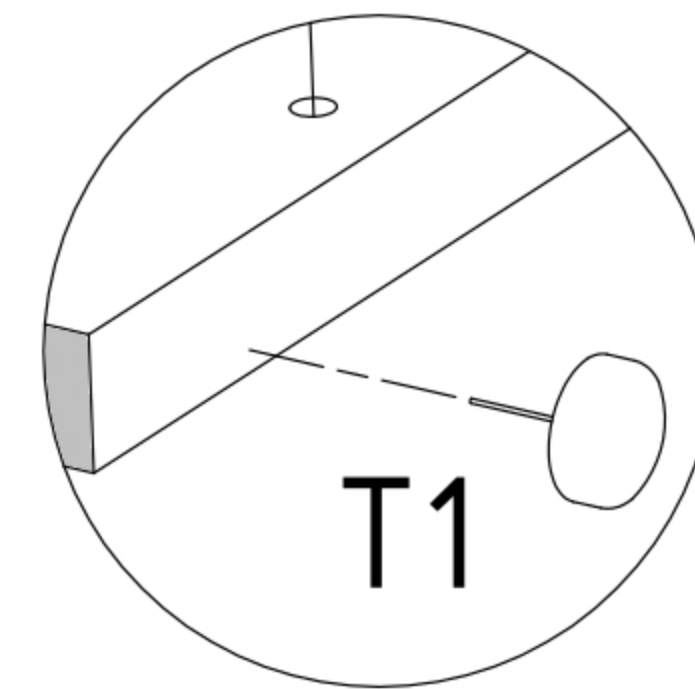
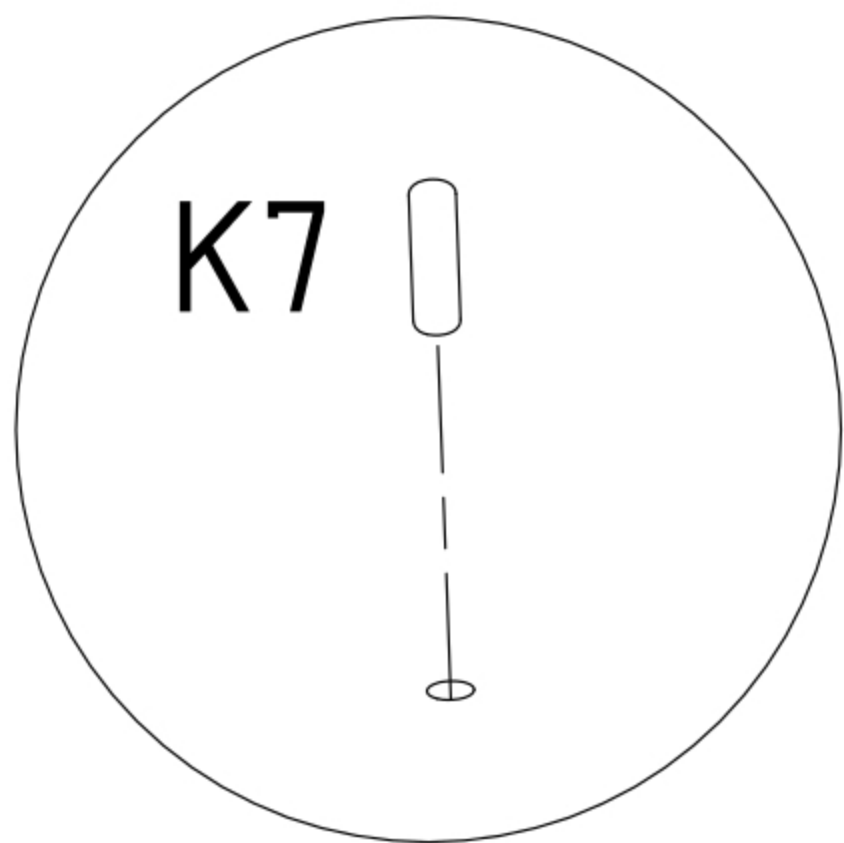
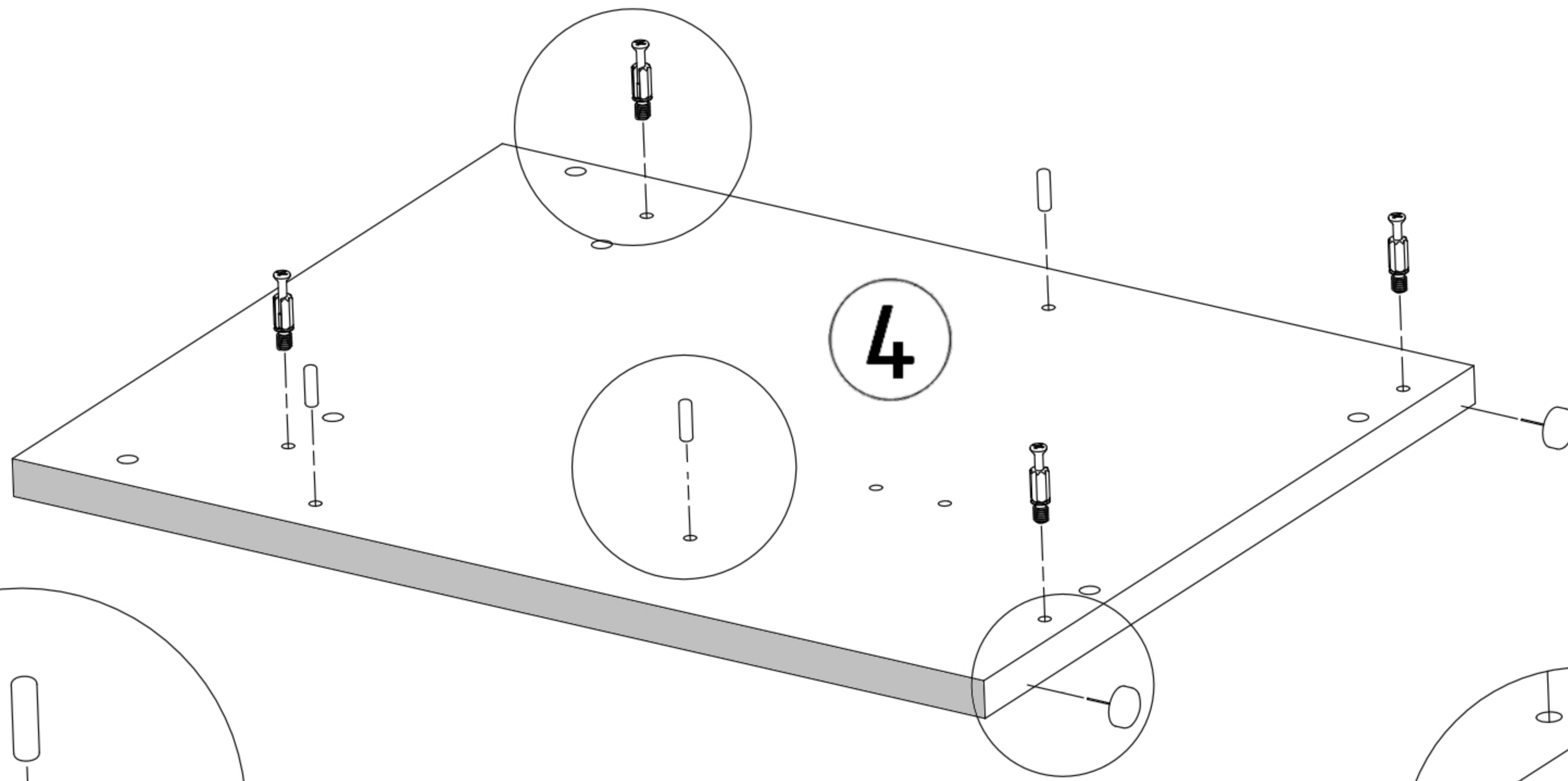
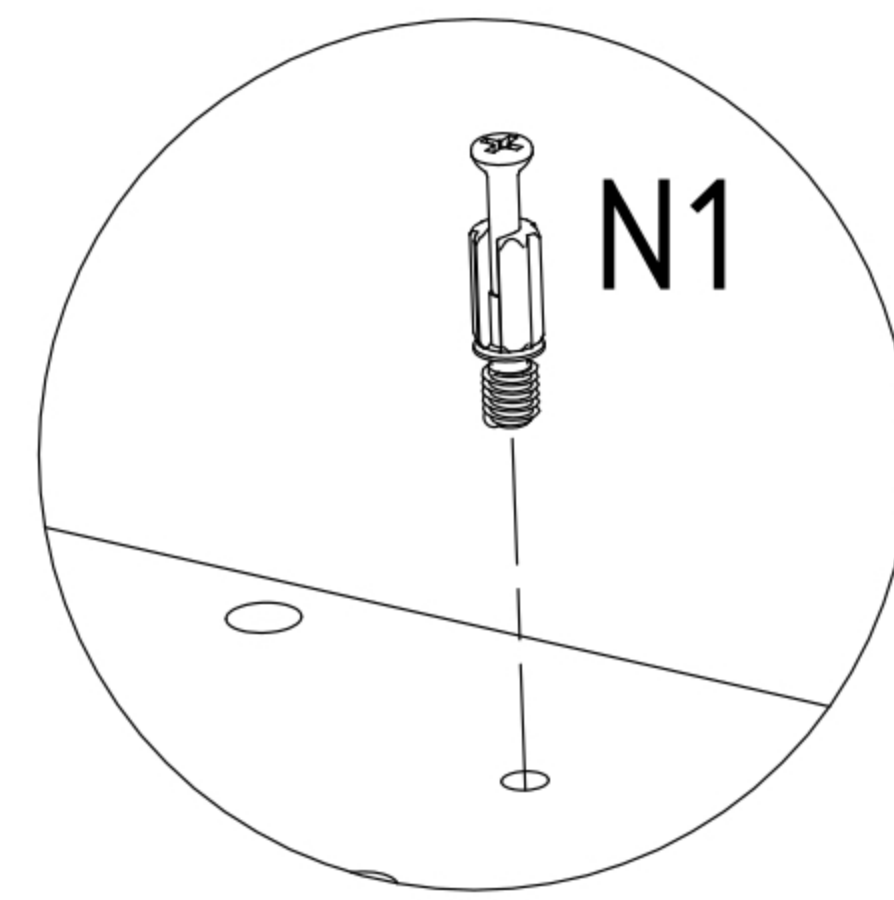
E1  8x30mm X4



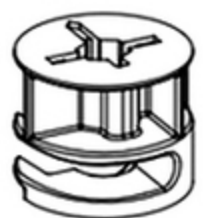
F3  X1	F1  7x50mm X6
--	--



N1  L=35mm x4	K7  5x16mm x3	T1  x2
---	--	---



M1



12x15mm

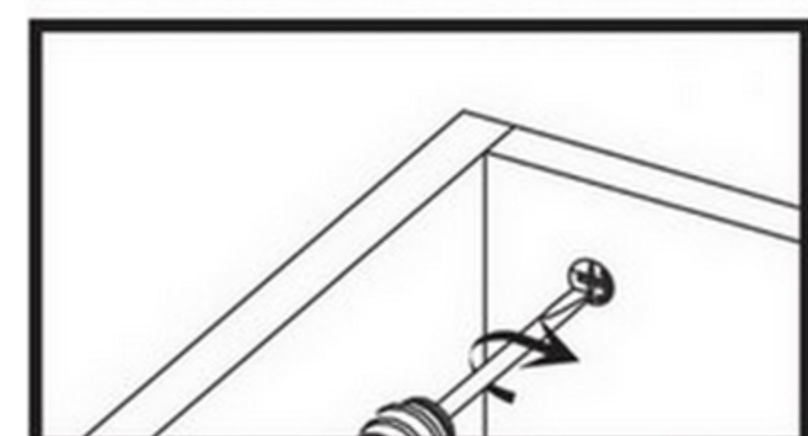
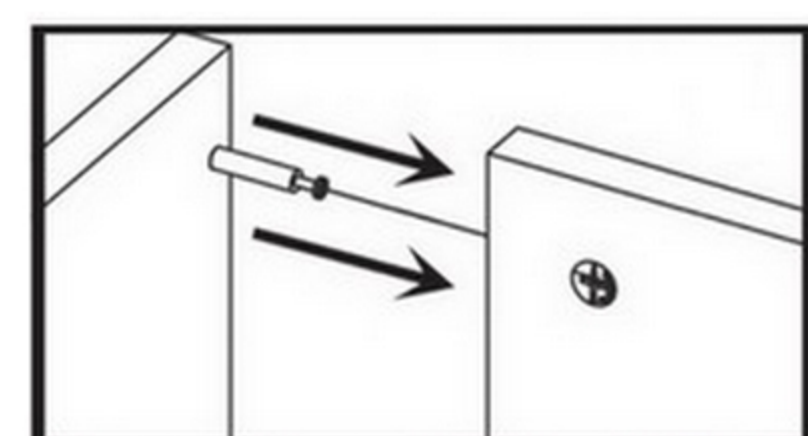
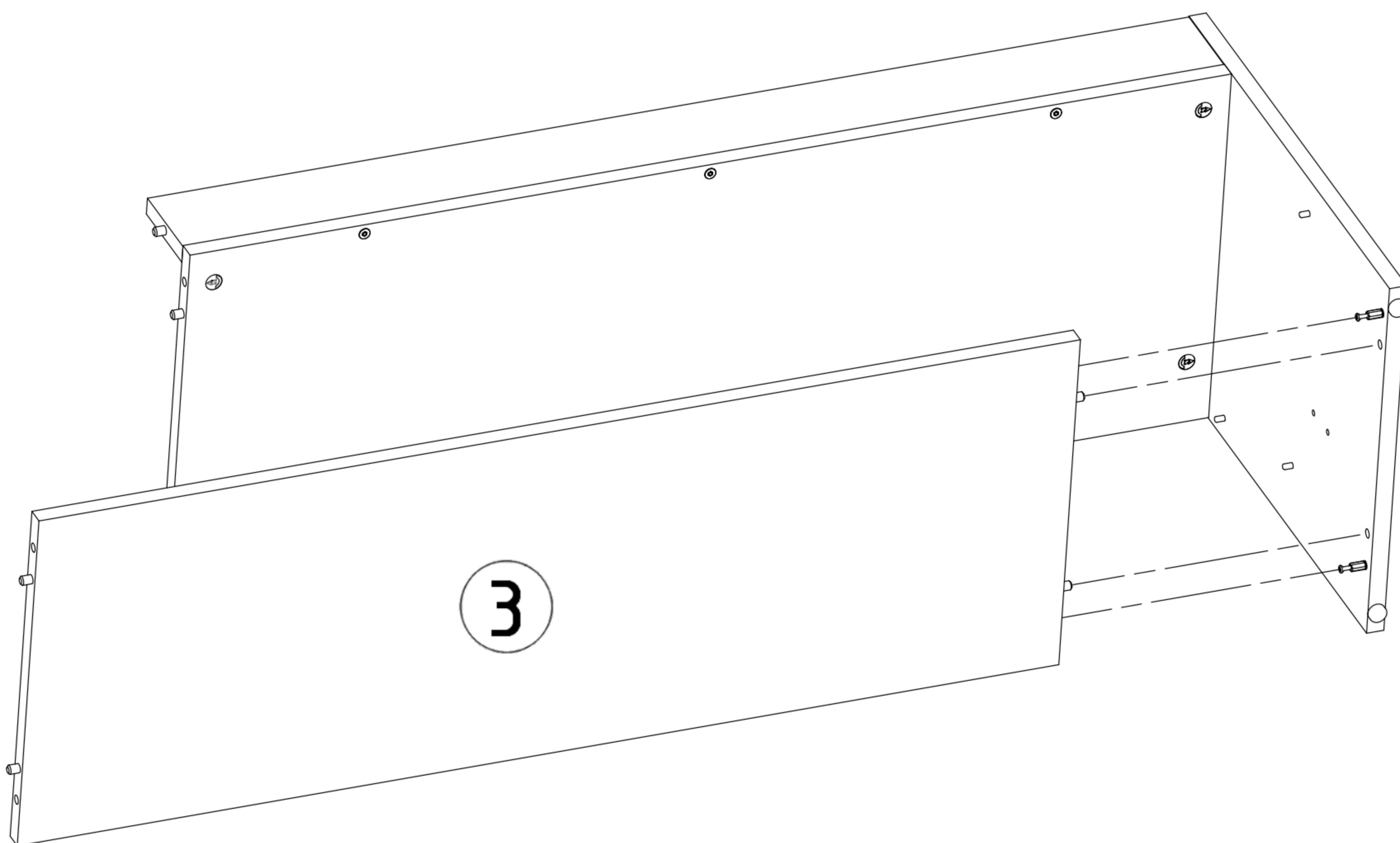
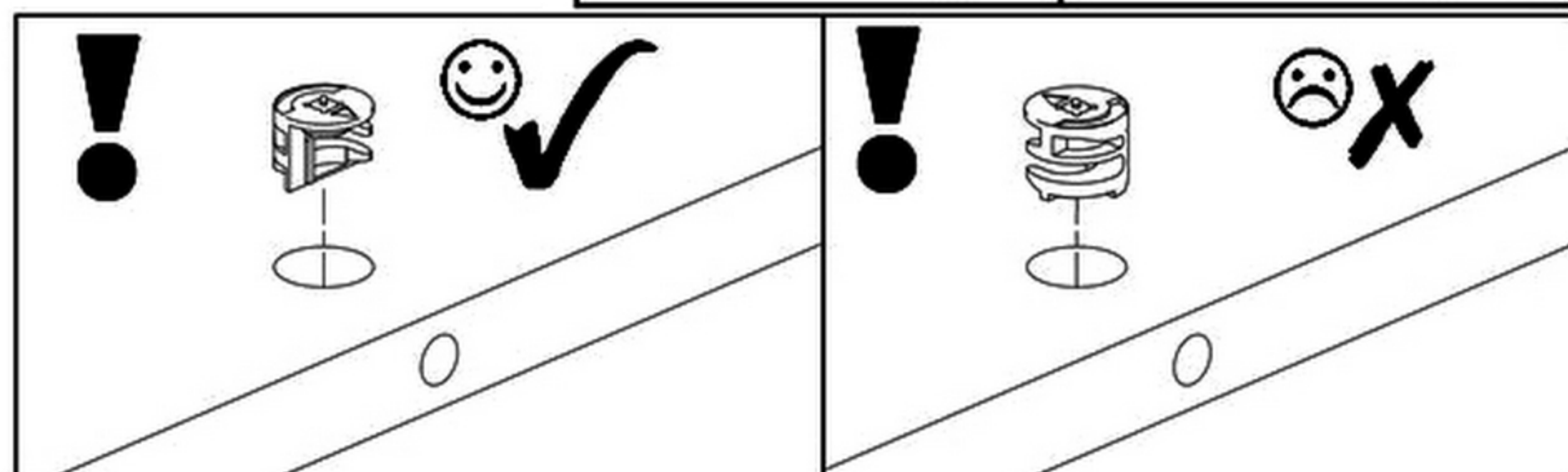
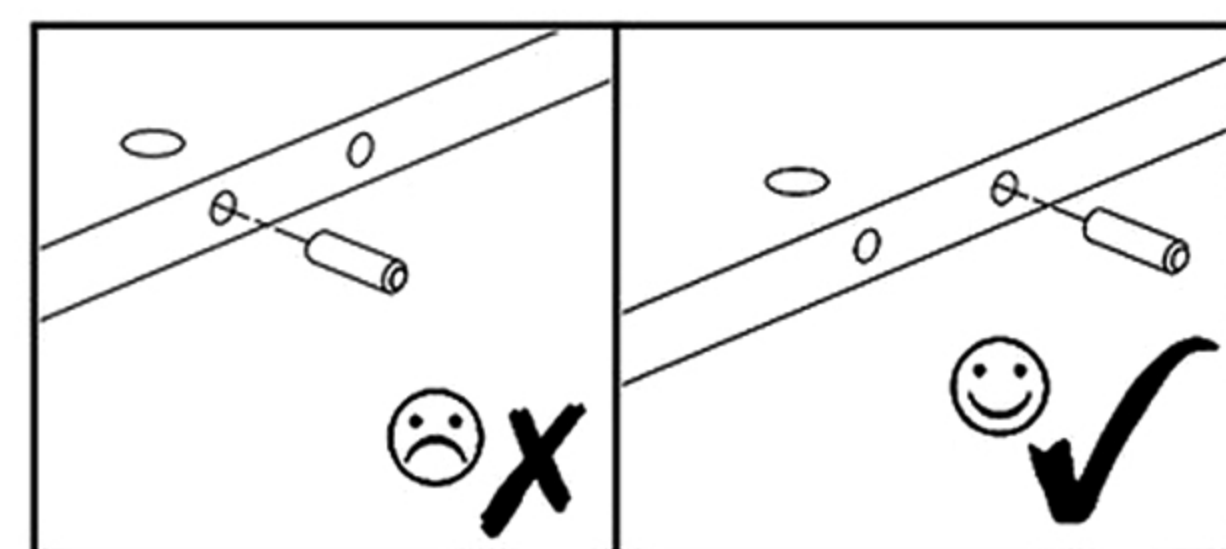
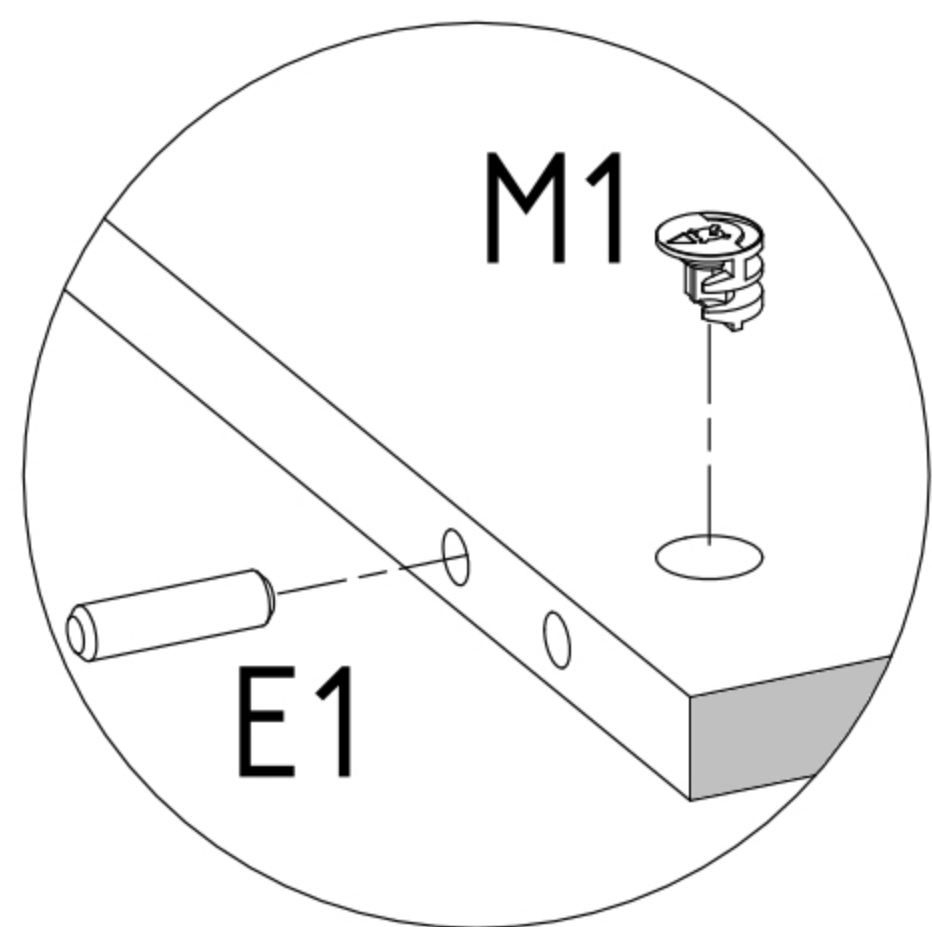
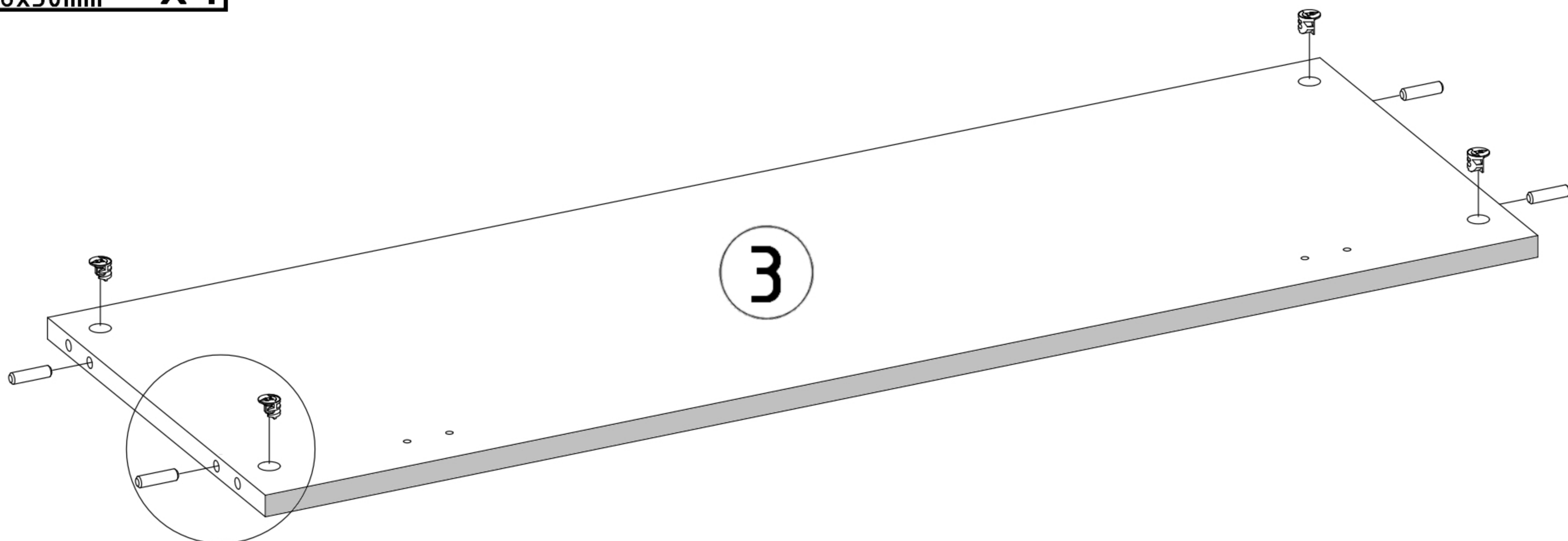
X4

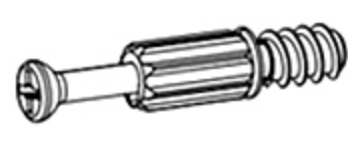
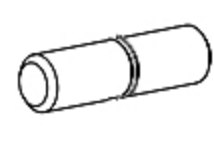

E1

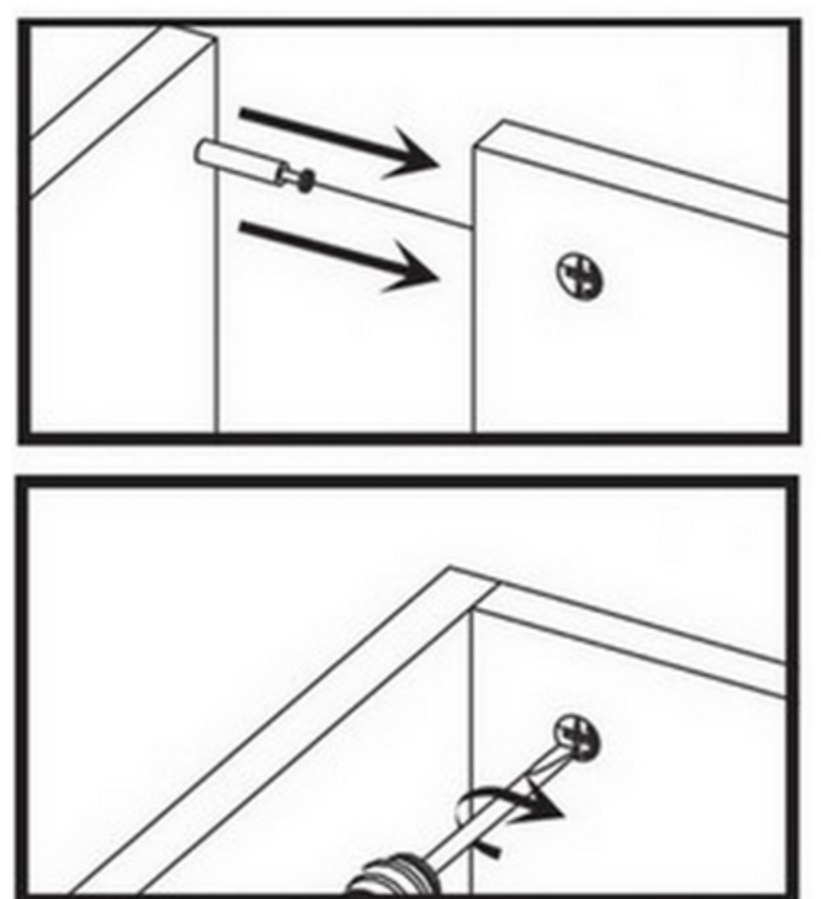
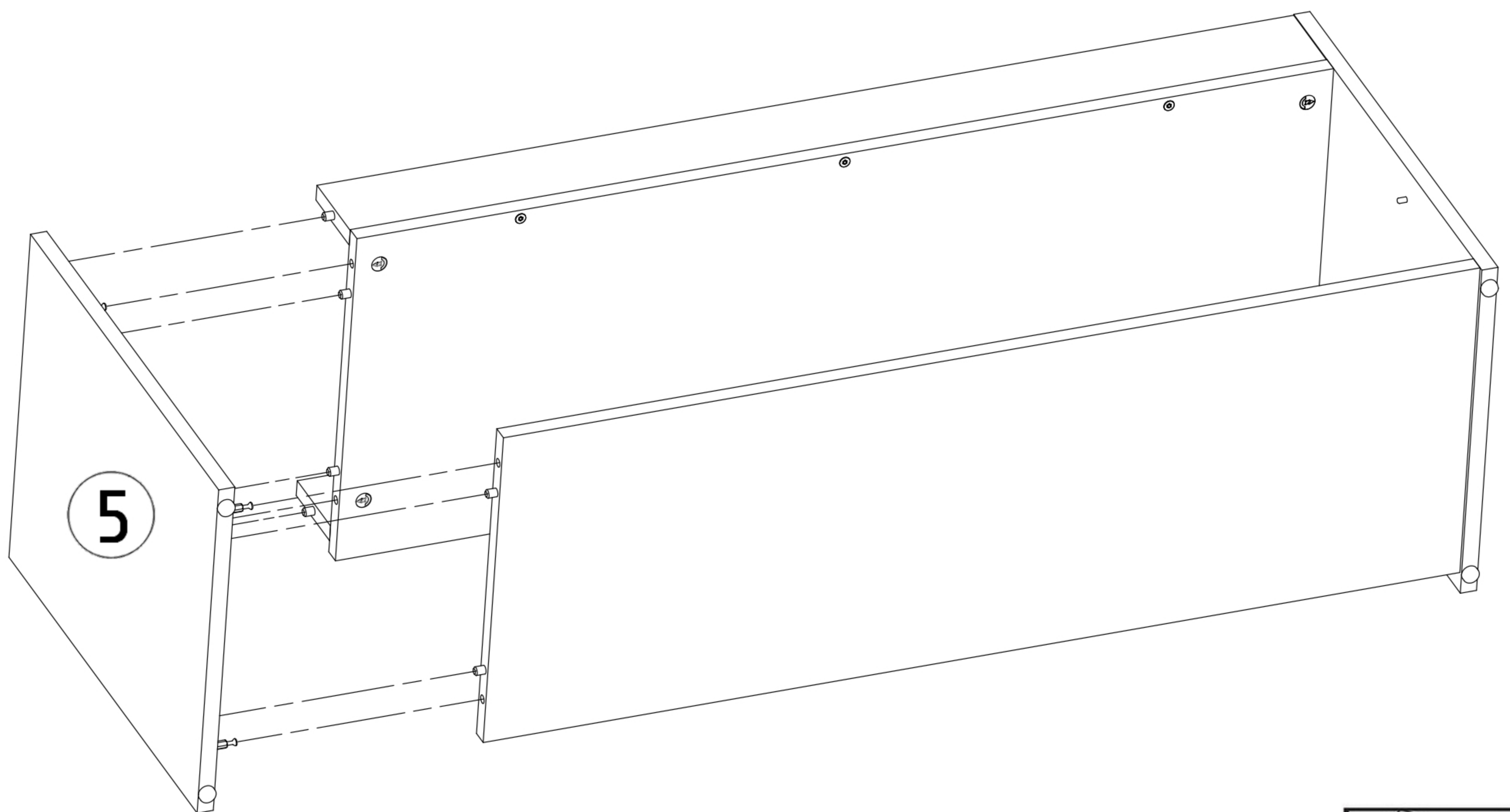
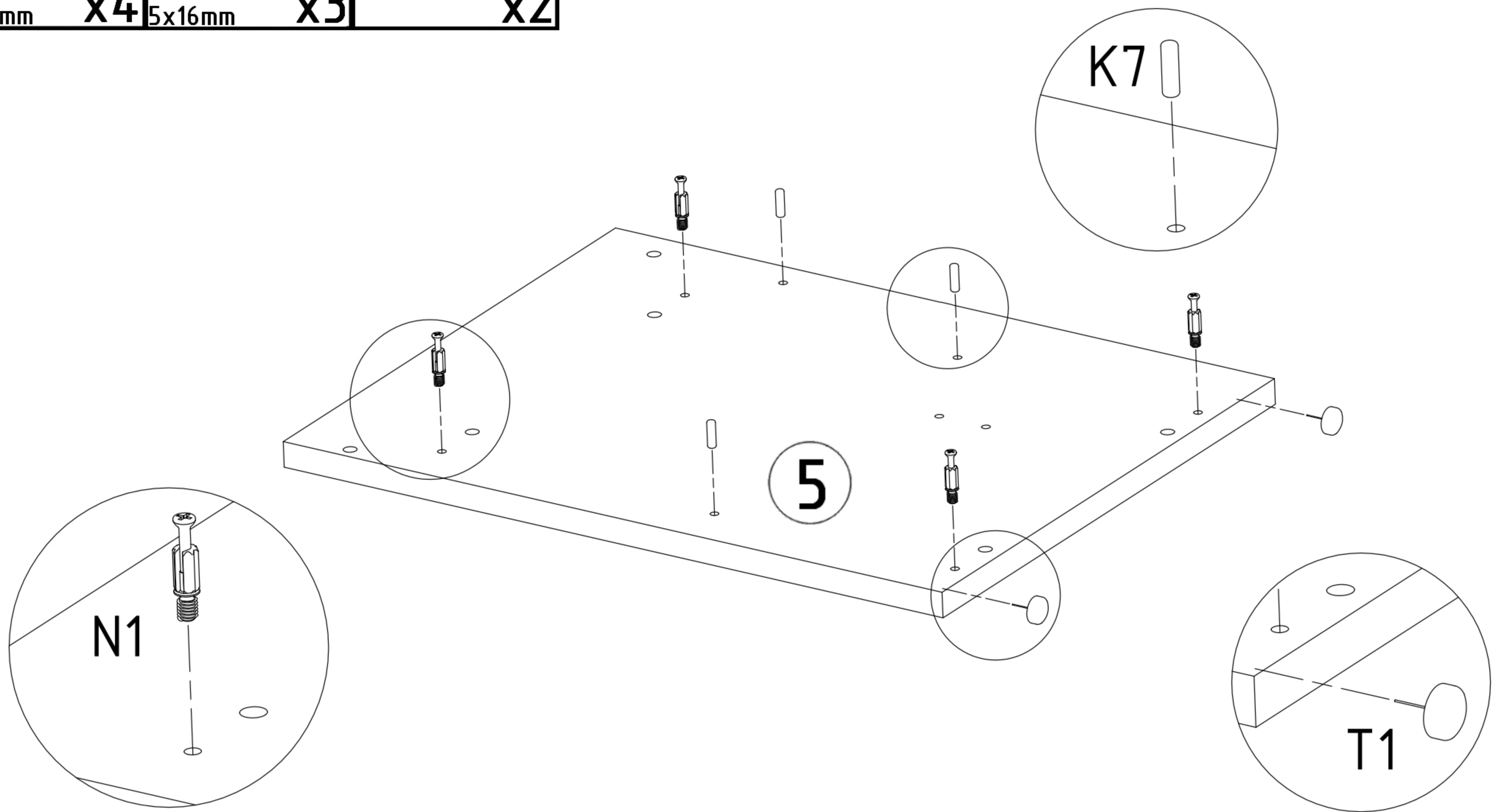


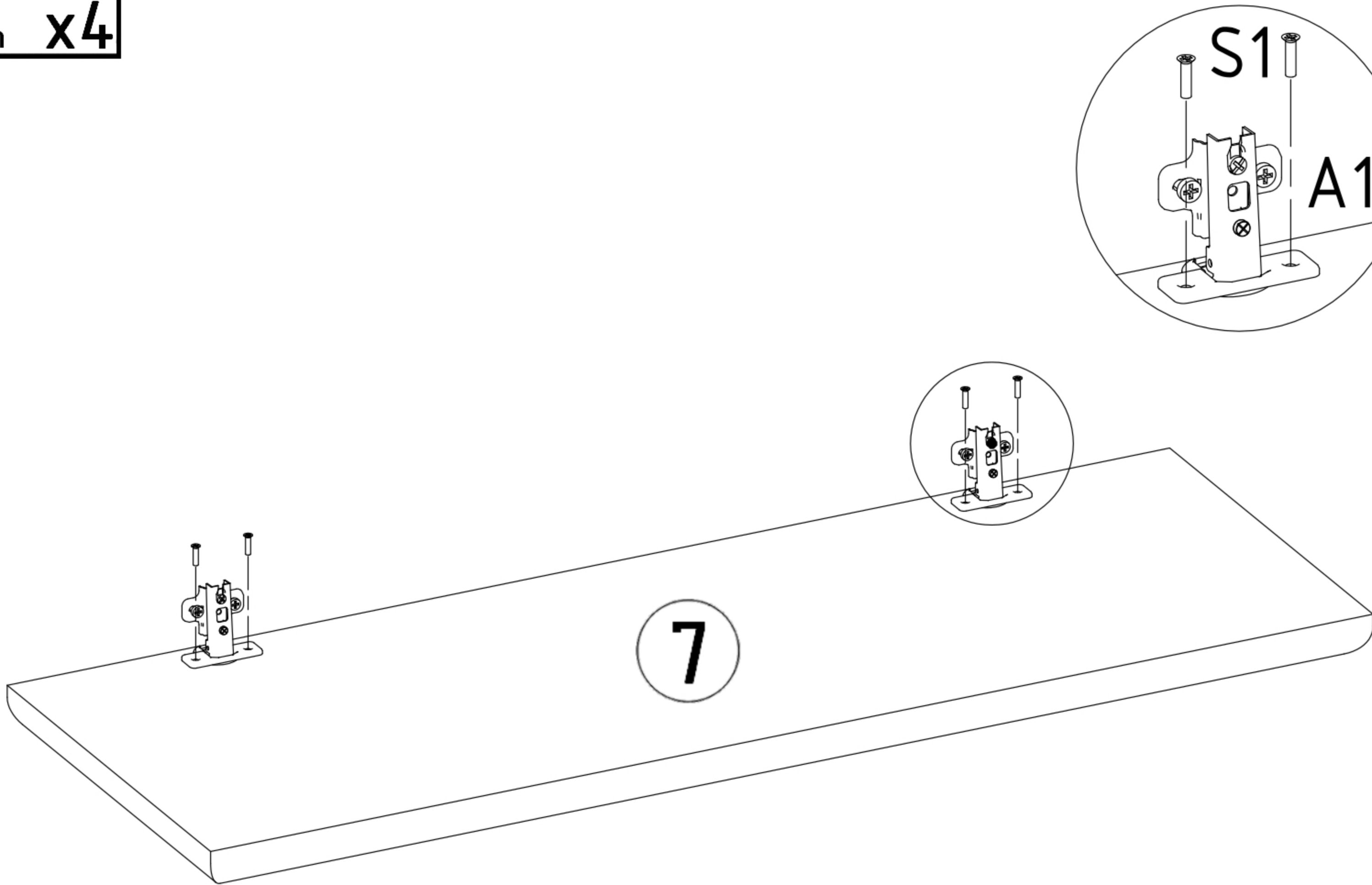
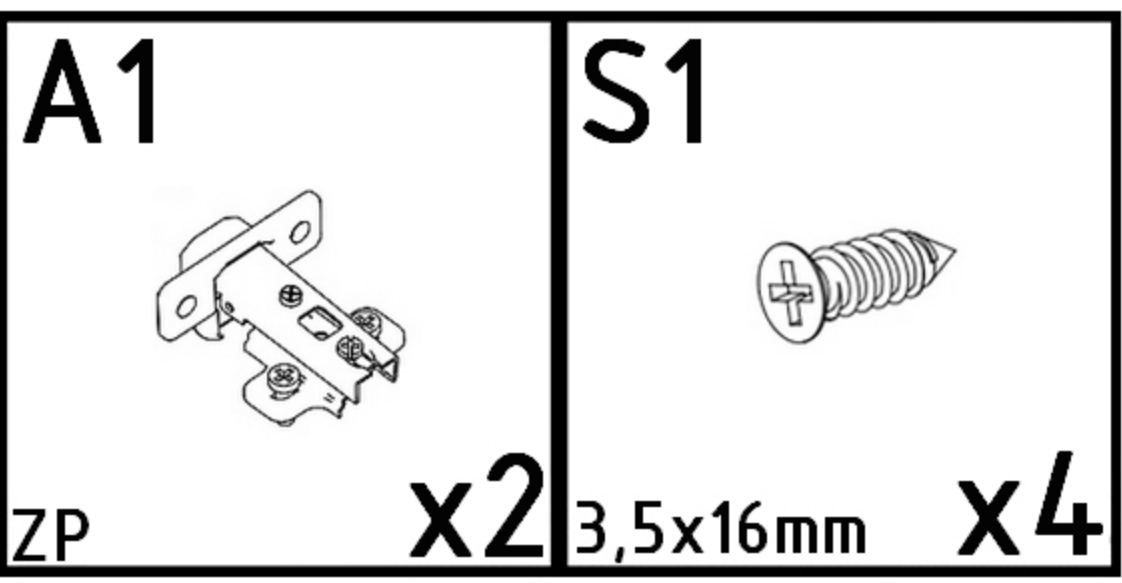
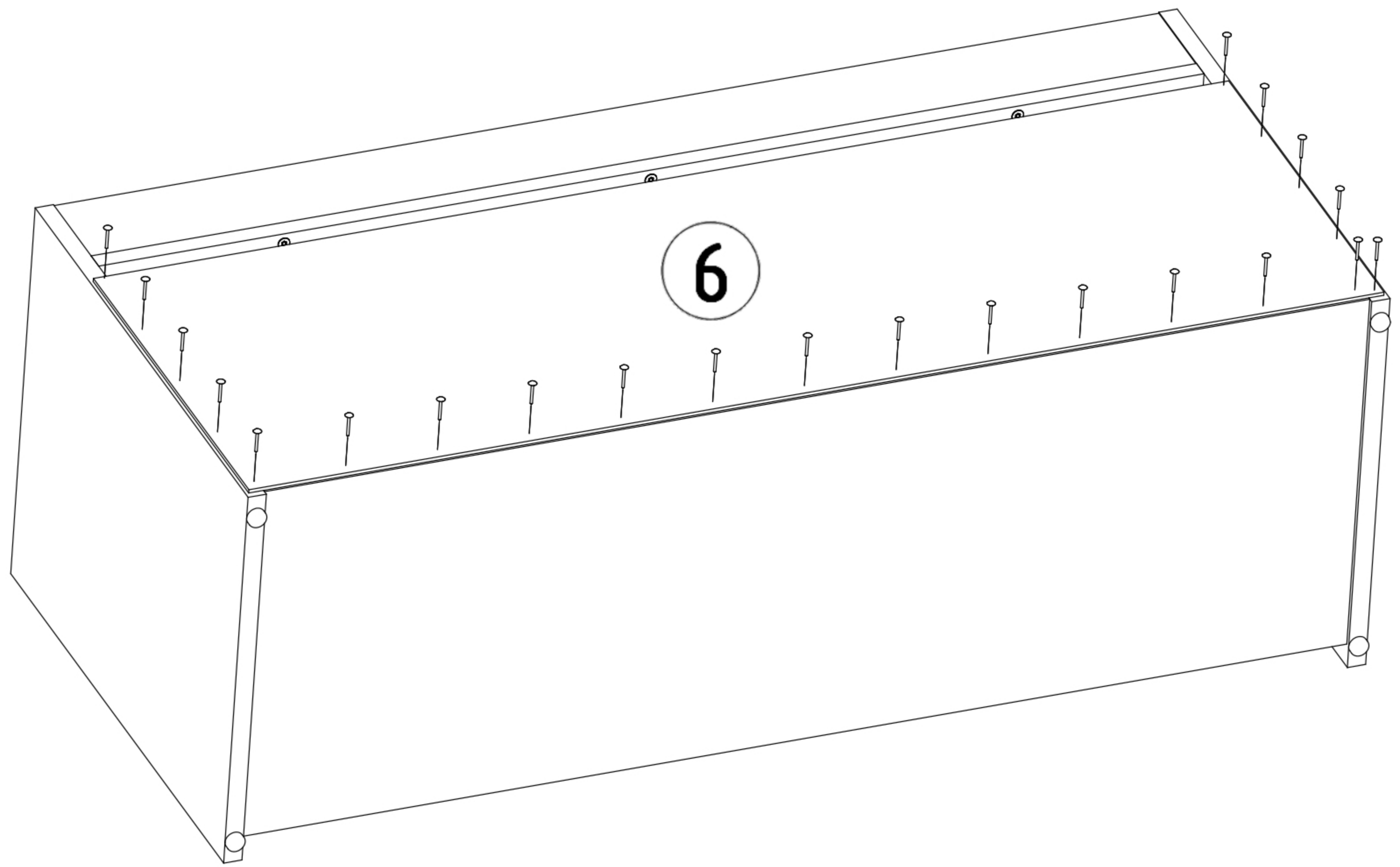
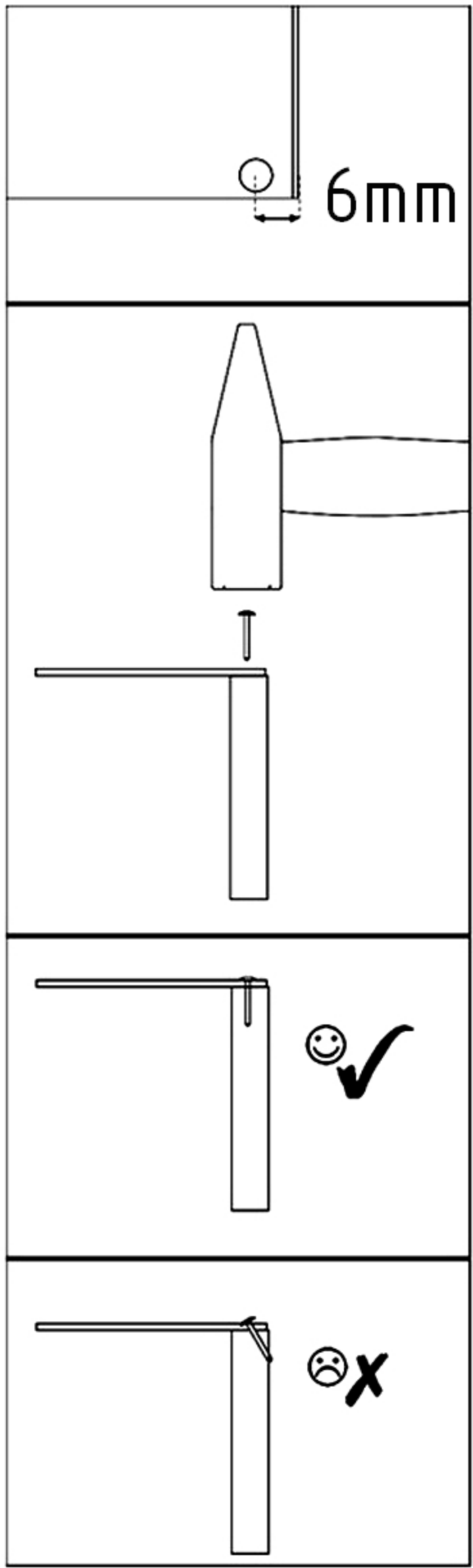
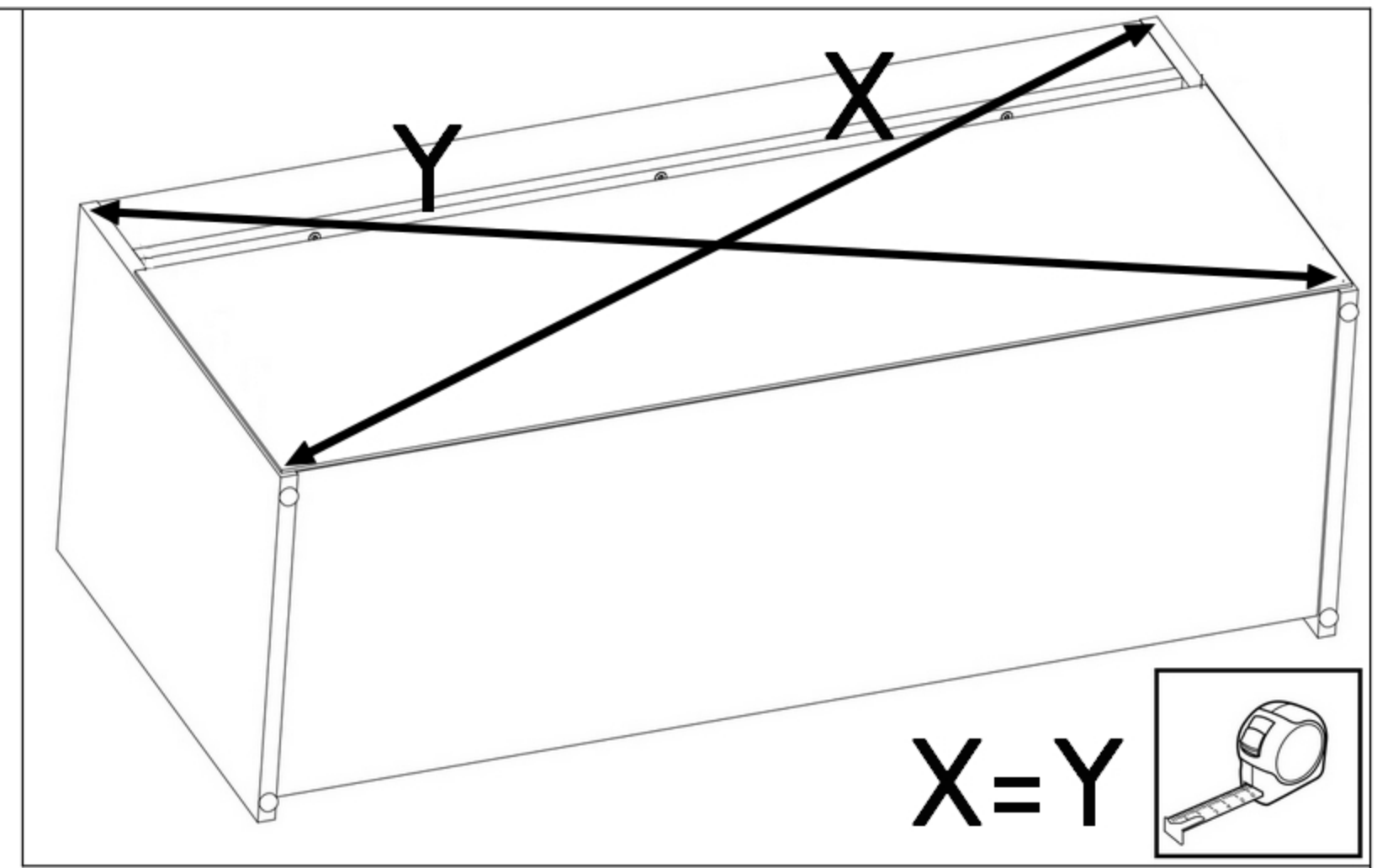
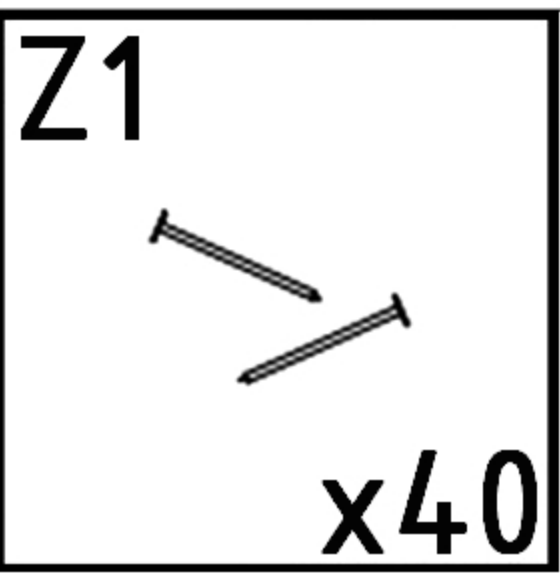
8x30mm

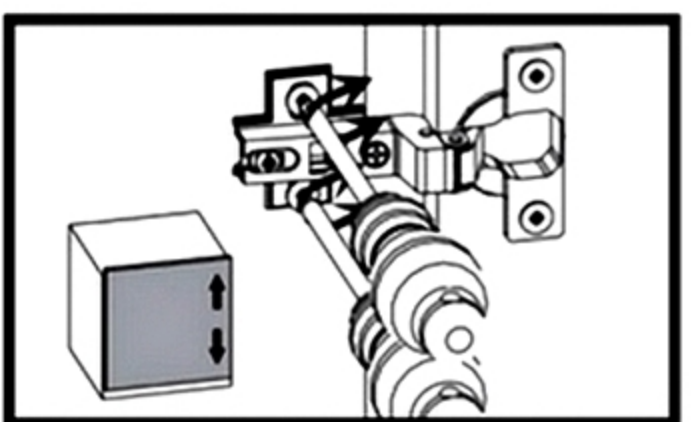
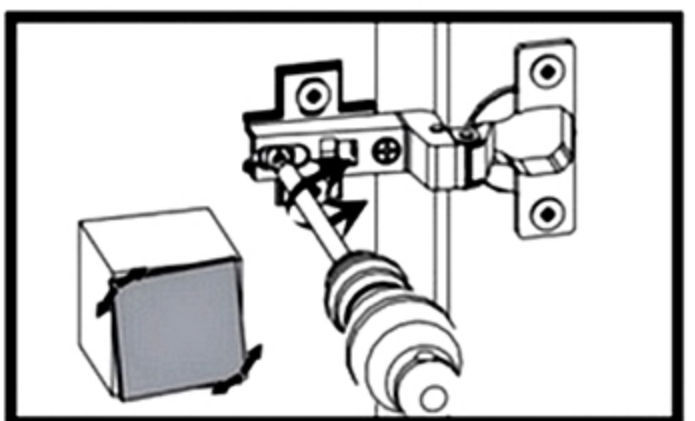
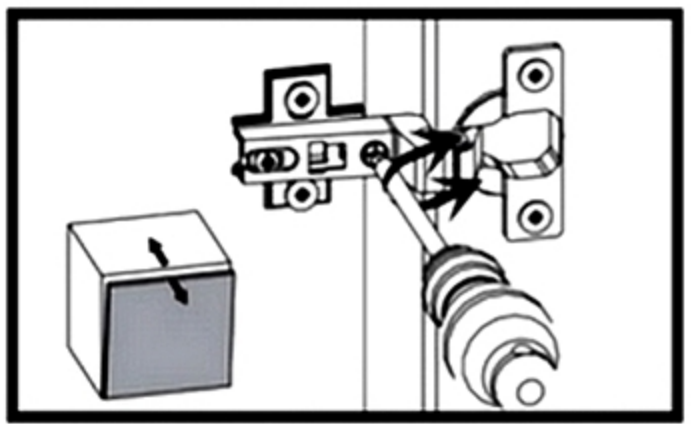
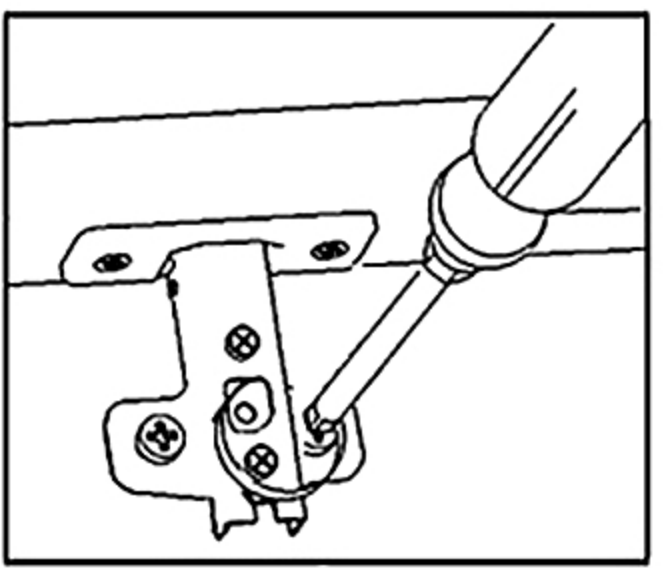
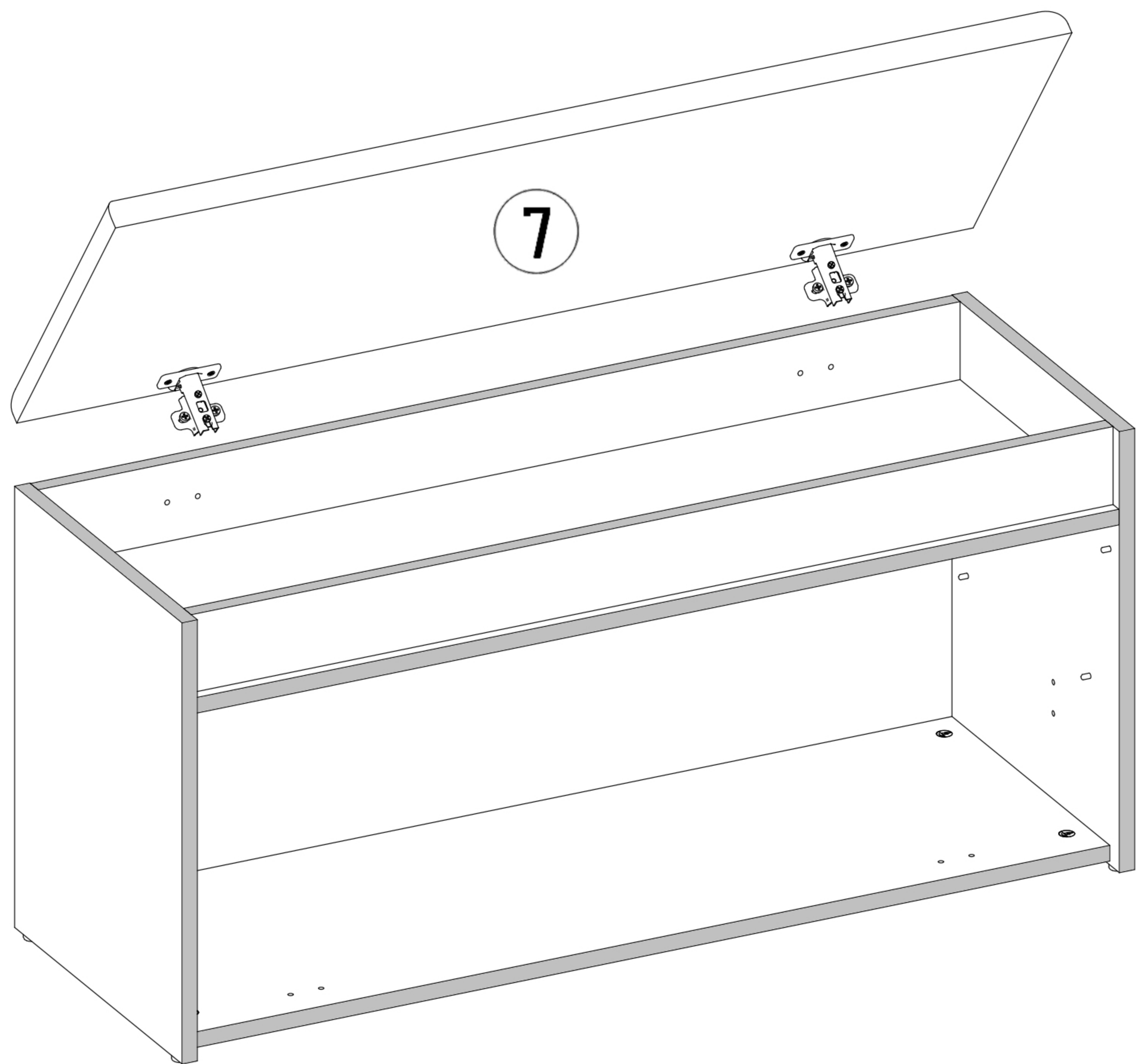
X4

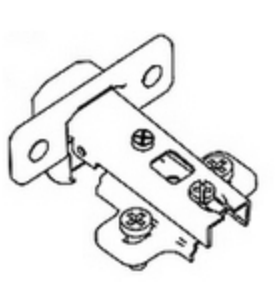



N1  L=35mm x4	K7  5x16mm x3	T1  x2
---	--	---







A1 	S1 
ZP	x2 3,5x16mm x4

